



2/2 WAY DIRECT ACTING SOLENOID VALVE

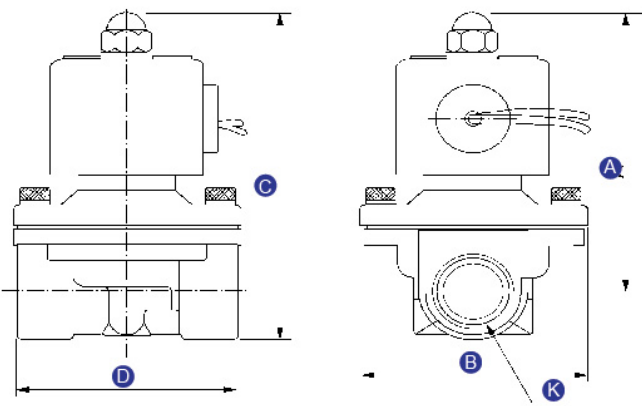


ORDERING CODE

	2W	160	15	A	E	AC110V
Specification Code	160: 16mm	10: ZG3/8"	A: Waterproof Coil	Blank: NBR	Standard Voltage	DC12V
2W: 2/2 Way Solenoid Valve	160: 16mm	15: ZG1/2"	Blank: Round Coil	E: EPDM	DC24V	50Hz/60Hz
	200: 20mm	20: ZG3/4"	S: Square Coil IP65	V: VITON	AC110V	50Hz/60Hz
	250: 25mm	25: ZG1"	H: Manual	S: SI	AC220V	50Hz/60Hz
	350: 35mm	35: ZG1 1/4"	NO: Normally Open		AC380V	50Hz/60Hz
	400: 40mm	40: ZG1 1/2"	NC: Normally Close			
	500: 50mm	50: ZG2"	Z: Ex-proof			

CONFIGURATION DIMENSION

Model	A	B	C	D	K
2W160-10	90	56	103	66	ZG3/8"
2W160-10-NO	112		125		
2W160-15	90	56	103	66	ZG1/2"
2W160-15-NO	112		125		
2W200-20	94	56	110	73	ZG3/4"
2W200-20-NO	116		132		
2W250-25	98	73	117	99	ZG1"
2W250-25-NO	120		139		
2W350-35	135	93	160	118	ZG1 1/4"
2W350-35-NO	155		180		
2W400-40	135	93	160	118	ZG1 1/2"
2W400-40-NO	155		180		
2W500-50	153	124	188	160	ZG2"
2W500-50-NO	174		209		

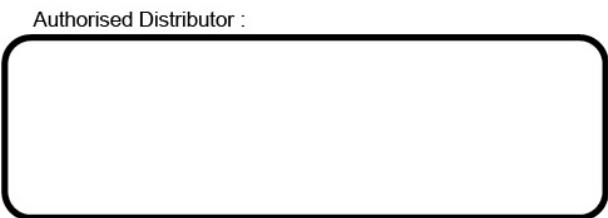


SPECIFICATION

Model	2W160-10	2W160-15	2W200-20	2W250-25	2W350-35	2W400-40	2W500-50
Working Medium	Air, Water, Oil, Gas						
Operation	Direct Acting						
Acting Type	Normally Closed						
Orifice Size (mm)	16	20	25	35	40	50	
CV Value	4.8	4.8	12	24	29	48	
Port Size	ZG3/8"	ZG1/2"	ZG3/4"	ZG1"	ZG1 1/4"	ZG1 1/2"	ZG2"
Operation Fluid Viscosity	20 CST Below						
Operating Pressure	Air: 0~1.0MPa; Water: 0~0.7MPa; Oil: 0~0.9MPa						
Max. Pressure Resistance	1.0MPa (Normal open type max. pressure 0.8MPa)						
Operating Temperature	NBR for -5~80°C and VITON for -5~150°C						
Voltage Range	±10%						
Material of Body	Brass						
Material of Oil Seal	NBR or VITON						

FEATURES

- Protection Degree is IP67, these valves can be supplied with manual operation.



NEPTEC ENGINEERING SDN BHD
 No. 33-1, Jln Kebun Nenas 4A/KS 8, (1068405-P)
 Bandar Putera 2, 41200 Klang, Selangor.
 Website : www.neptec.com.my
 Tel : 03-5161 3330
 Fax : 03-5161 3331

H/P : 012-223 8681 H/P : 012-664 2440 H/P : 012-289 9720
 Email : sales@neptec.net Email : tcgan@neptec.net Email : ts@neptec.net