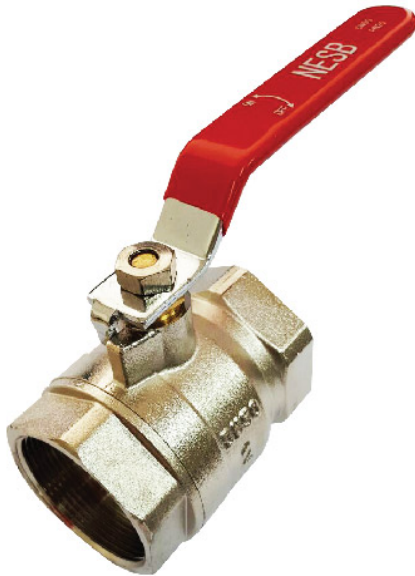


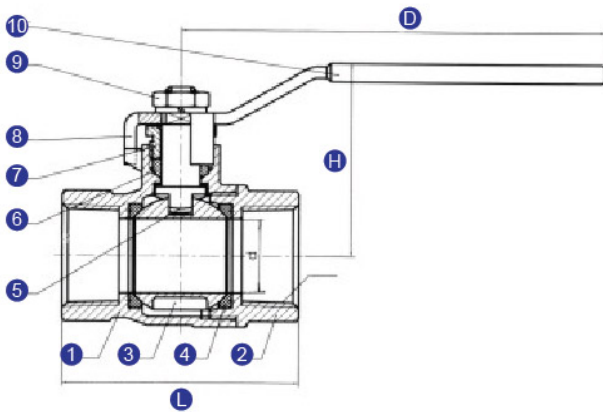


CHROME BRASS BALL VALVE



MAIN PARTS AND MATERIALS

NO	NAME	MATERIAL
1	Body	CW617N
2	Seat Retainer	CW617N
3	Ball	CW617N
4	Seat	PTFE
5	Stem	CW617N
6	Packing	PTFE
7	Gland Nut	CW617N
8	Lever	Mild Steel
9	Lever Nut	Stainless Steel
10	Lever Cover	PVC



CONFIGURATION DIMENSION

Size		d	L	H	D
DN	Inch				
8	1/4"	11	43.5	32.5	69.5
10	3/8"	12	43.5	32.5	69.5
15	1/2"	14	49	36.5	100
20	3/4"	19	58.5	40	100
25	1"	23	63.5	45.5	110
32	1 1/4"	30	74.5	57	140
40	1 1/2"	37	85	61.5	140
50	2"	45	99	70.5	163.5
65	2 1/2"	57	120.5	93	226
80	3"	68	136	101	226
100	4"	84	156.5	118.5	226

FEATURES

- Pressure Rating : PN25
- Working Medium : Water, Oil & Gas
- Working Temperature : 120°C
- Pipe Thread to ISO228

Authorised Distributor :



NEPTEC ENGINEERING SDN BHD

No. 33-1, Jln Kebun Nenas 4A/KS 8, (1068405-P)
 Bandar Putera 2, 41200 Klang, Selangor.
 Website : www.neptec.com.my
 Tel : 03-5161 3330
 Fax : 03-5161 3331

H/P : 012-223 8681
 Email : sales@neptec.net

H/P : 012-664 2440
 Email : tcgan@neptec.net

H/P : 012-289 9720
 Email : ts@neptec.net