



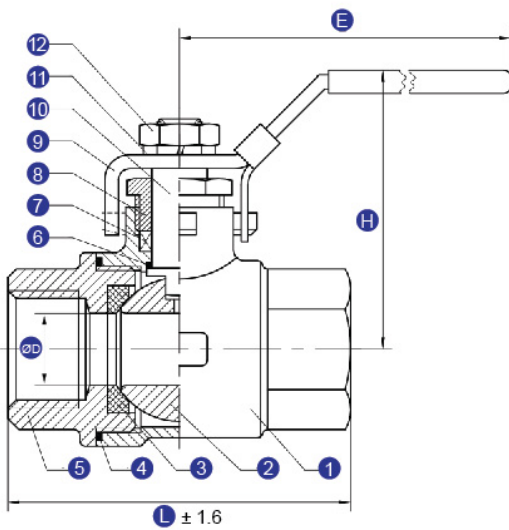
STAINLESS STEEL BALL VALVE

2-PC Body Ball Valve (Full Bore)
Screwed End 1000 W.O.G



MAIN PARTS AND MATERIALS

NO	NAME	MATERIAL
1	Body	CF8/CF8M
2	Ball	304/316
3	Seat	PTRE/RPTFE
4	Gasket	PTFE
5	Cap	CF8/CF8M
6	Thrust Washer	PTFE
7	Packing	PTFE
8	Gland Nut	304
9	Handle	304
10	Stem	304/316
11	Spring Washer	304
12	Nut	304



CONFIGURATION DIMENSION

Size		L	H	E	ØD
DN	Inch				
6	1/4"	53	45	100	10
10	3/8"	53	45	100	12
15	1/2"	62	49	104	15
20	3/4"	70	55	118	20
25	1"	81	67	145	25
32	1 1/4"	95	70	145	32
40	1 1/2"	105	80	177	38
50	2"	117	92	177	50
65	2 1/2"	163	113	224	65
80	3"	190	127	242	80
100	4"	200	180	280	96

FEATURES

- 1000WOG
- Full Bore Port
- Locking Device Handle
- Blow-Out Proof Stem
- PTFE Packing Sealing
- Design Standard: ASME B16.34

Authorised Distributor :



NEPTEC ENGINEERING SDN BHD

No. 33-1, Jln Kebun Nenas 4A/KS 8, (1068405-P)
 Bandar Putera 2, 41200 Klang, Selangor.
 Website : www.neptec.com.my
 Tel : 03-5161 3330
 Fax : 03-5161 3331

H/P : 012-223 8681
 Email : sales@neptec.net

H/P : 012-664 2440
 Email : tcgan@neptec.net

H/P : 012-289 9720
 Email : ts@neptec.net