



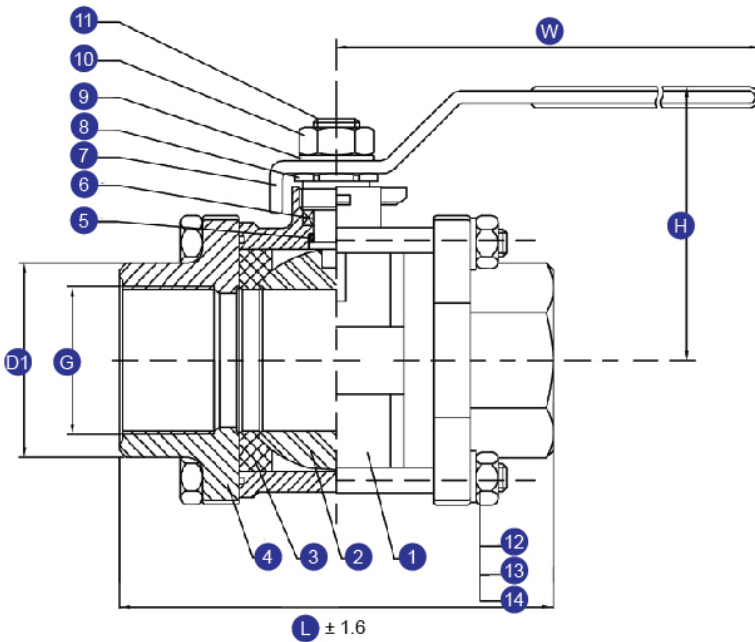
STAINLESS STEEL BALL VALVE

**3PC Body Ball Valve (Full Bore)
Screwed End 1000 W.O.G**



MAIN PARTS AND MATERIALS

NO	NAME	MATERIAL
1	Body	304/316
2	Nut	304/316
3	Ball	PTFE
4	Seat	304/316
5	Cap	PTFE
6	Thrust Washer	PTFE
7	Packing	210 + BLUE PVC
8	Handle	304
9	Gland Nut	304
10	Spring Washer	304
11	Nut	304/316
12	Stem	304
13	Spring Washer	304
14	Bolt	304



CONFIGURATION DIMENSION

Size		L	H	D1	W
DN	Inch				
6	1/4"	66	45	24.5	100
10	3/8"	66	45	24.5	100
15	1/2"	73	53	29.5	104
20	3/4"	80	58	36	118
25	1"	86	68	43	145
32	1 1/4"	108	81	51.5	162
40	1 1/2"	118	85	58.5	180
50	2"	144	92	72	180
65	2 1/2"	180	115	87	224
80	3"	209	130	103	242
100	4"	262	140	147	260

FEATURES

- 1000psi
- Full Port
- Locking Device Handle
- Blow-Out Proof Stem
- PTFE Packing Sealing
- Design Standard: ASME B16.34
- Precision Casting

Authorised Distributor :



NEPTEC ENGINEERING SDN BHD

No. 33-1, Jln Kebun Nenas 4A/KS 8, (1068405-P)
Bandar Putera 2, 41200 Klang, Selangor.
Website : www.neptec.com.my
Tel : 03-5161 3330
Fax : 03-5161 3331

H/P : 012-223 8681
Email : sales@neptec.net

H/P : 012-664 2440
Email : tcgan@neptec.net

H/P : 012-289 9720
Email : ts@neptec.net