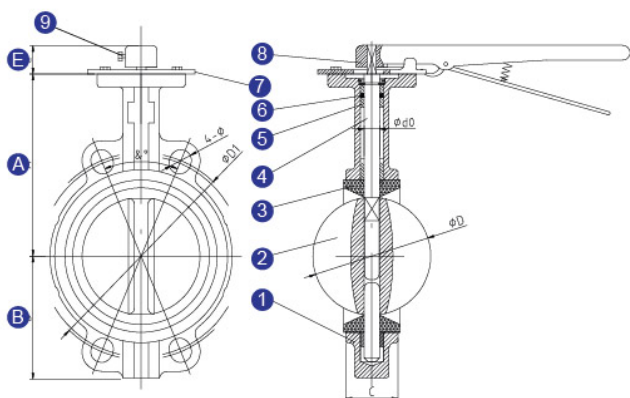
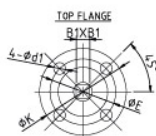




# BUTTERFLY VALVE UNIVERSAL FLANGED (LEVEL)



## MAIN PARTS AND MATERIALS

NO	NAME	MATERIAL
1	Body	Cast Iron
2	Disc	DI/CF8/CF8M
3	Seat	EPDM
4	Stem	SS410
5	Bushing	PTFE
6	O-Ring	NBR
7	Indicator	Stainless Steel
8	Level	Malleable Iron
9	Bolt	Stainless Steel

## CONFIGURATION DIMENSION

Size		A	B	C	D	d0	ISO 5211	K	E	4-d1	L	B1
DN	Inch											
40	1 1/2"	120	70	34	41.8	12.6	F05	65	65	7	26	11
50	2"	140	80	42	52.9	12.6	F07	70	90	10	30	11
65	2 1/2"	150	89	44.7	64.5	12.6	F07	70	90	10	30	11
80	3"	158	95	45.2	78.8	12.6	F07	70	90	10	30	11
100	4"	176	114	52	104	15.77	F07	70	90	10	30	11
125	5"	190	127	54.4	123.3	18.92	F07	70	90	10	30	14
150	6"	211	139	55.8	155.1	18.92	F07	70	90	10	30	14
200	8"	235	175	60.6	202.5	22.1	F10	102	125	12	40	17
250	10"	265	203	65.6	250.5	28.45	F10	102	125	12	40	22
300	12"	305	242	76.9	301.5	31.6	F10	102	125	12	40	22

## FEATURES

- Small in size, light in weight, easy to install. It can be mounted wherever needed, suitable for various actuators.
- Simple, compact structure, quick 90 degree on-off operation.
- Disc has two-way bearing, perfect seal, zero leakage under the pressure test.
- Flow curve tending to straight-line. Excellent regulation performance.
- Various kind of materials, applicable to different medium.
- Strong wash and brush resistance and can fit to bad working condition.
- Center plate structure, small torque of open and close.
- Long service life. Standing the last of 10,000 times opening and closing operation.
- Can be used in cutting off and regulation medium.
- Without pin structure, function better.

## CONFIGURATION DIMENSION

Size		PN10				PN16				ANSI Class 150				JIS 10K			
DN	Inch	D1	n	d	&°	D1	n	d	&°	D1	n	d	&°	D1	n	d	&°
40	1 1/2"	110	4	18	90	110	4	18	90	98.5	4	15.9	90	105	4	19	90
50	2"	125	4	18	90	125	4	18	90	120.6	4	19.1	90	120	4	19	90
65	2 1/2"	145	4	18	60	145	4	18	90	139.7	4	19.1	90	140	4	19	90
80	3"	160	4	18	45	160	4	18	45	152.4	4	19.1	90	150	4	19	45
100	4"	180	4	18	45	180	4	18	45	190.5	4	19.1	45	175	4	19	45
125	5"	210	4	18	45	210	4	18	45	215.9	4	22.4	45	210	4	23	45
150	6"	240	4	22	45	240	4	22	45	241.3	4	22.4	45	240	4	23	45
200	8"	295	4	22	45	295	4	22	30	298.5	4	22.4	45	290	4	23	30
250	10"	350	4	22	30	355	4	26	30	361.9	4	25.4	30	355	4	25	30
300	12"	400	4	22	30	410	4	26	30	431.8	4	25.4	30	400	4	25	22.5

Authorised Distributor :



## NEPTEC ENGINEERING SDN BHD

No. 33-1, Jln Kebun Nenas 4A/KS 8, (1068405-P)  
 Bandar Putera 2, 41200 Klang, Selangor.  
 Website : [www.neptec.com.my](http://www.neptec.com.my)  
 Tel : 03-5161 3330  
 Fax : 03-5161 3331

H/P : 012-223 8681  
 Email : [sales@neptec.net](mailto:sales@neptec.net)

H/P : 012-664 2440  
 Email : [tcgan@neptec.net](mailto:tcgan@neptec.net)

H/P : 012-289 9720  
 Email : [ts@neptec.net](mailto:ts@neptec.net)