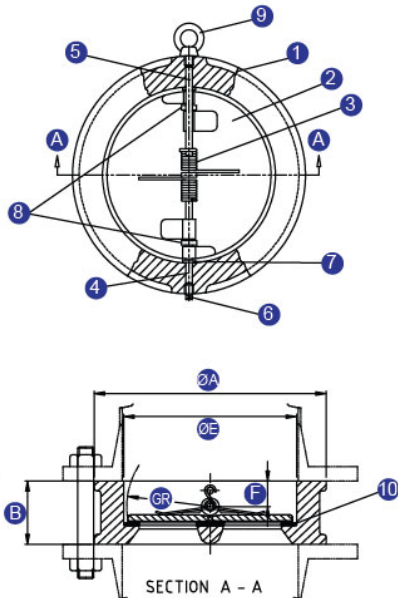




DUAL-PLATE WAFER CHECK VALVE



MAIN PARTS AND MATERIALS

NO	NAME	MATERIAL
1	Body	Cast Iron
2	Plate	SS304
3	Spring	SS304
4	Hinge Pin	SS304
5	Stop Pin	SS304
6	Plug	Carbon Steel
7	Body Bearing	PTFE
8	Spring Bearing	PTFE
9	Eye Bolt	Carbon Steel
10	Body Seat	EPDM

CONFIGURATION DIMENSION

Size		ØA	ØE	B	GR	F
DN	Inch					
50	2"	101	65	43	28.8	19
65	2 1/2"	121	80	46	36.1	20
80	3"	129	94	64	43.4	28
100	4"	156	117	64	52.8	27
125	5"	187	145	70	65.7	30
150	6"	213	170	76	78.6	31
200	8"	267	224	89	104.4	33
250	10"	327	265	114	127	50
300	12"	375	310	114	148.3	43

FEATURES

- Short in length, installed easily
- Small and light, tightly sealed, easy in maintenance
- Two torsion springs are used excreting on each of the pair valve plates. Which close the plates quickly and automatically.
- The quick-close action prevent the medium from flowing back and reduce water hammer pressure.
- Can be installed both horizontally and vertical descending on pipeline.
- Safe and reliable in operation, high interference-resistance.

Authorised Distributor :



NEPTEC ENGINEERING SDN BHD

No. 33-1, Jln Kebun Nenas 4A/KS 8, (1068405-P)
 Bandar Putera 2, 41200 Klang, Selangor.
 Website : www.neptec.com.my
 Tel : 03-5161 3330
 Fax : 03-5161 3331

H/P : 012-223 8681
 Email : sales@neptec.net

H/P : 012-664 2440
 Email : tcgan@neptec.net

H/P : 012-289 9720
 Email : ts@neptec.net