



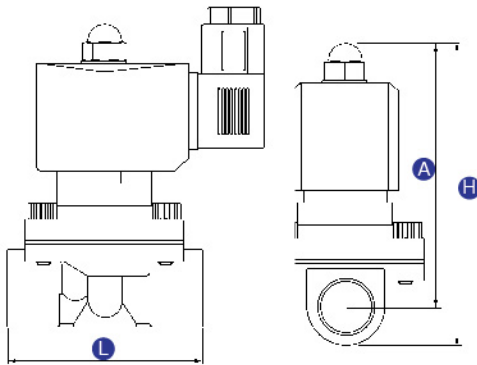
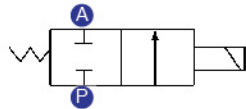
FLUID SOLENOID VALVE WITH STAINLESS STEEL BODY

ORDERING CODE



2W	160	15	Z	E	AC110V
Specification Code	Orifice Size	Port Size	Z: EX-proof	Sealing Material	Standard Voltage
2W: Stainless Steel Fluid Solenoid Valve	030: 3mm 040: 4mm 160: 16mm 200: 20mm 250: 25mm 350: 35mm 400: 40mm 500: 50mm	06: ZG1/8" 08: ZG1/4" 10: ZG3/8" 15: ZG1/2" 20: ZG3/4" 25: ZG1" 35: ZG1 1/4" 40: ZG1 1/2" 50: ZG2"	Blank: Round Coil S: IP65 Square Coil A: Water-proof F: Flang Connection NC: Normal Close NO: Normal Open	Blank: NBR E: EPDM V: VITON S: SI	DC12V DC24V AC24V 50Hz/60Hz AC110V 50Hz/60Hz AC220V 50Hz/60Hz AC380V 50Hz/60Hz

CONFIGURATION DIMENSION



Model	Port Size (mm)	Orifice (mm)	CV Value	Pressure Range (MPa)	Power		Overall Size (mm)		
					AC (VA)	DC (W)	L	H	A
2WB-06	ZG1/8"	3	0.25	0~1.0	15	12	Φ35	76	65
2WB-08	ZG1/4"	3					Φ35	76	65
2WB-10	ZG3/8"	4	0.6		18	16	Φ44	88	75
2WB-10	ZG3/8"	16	4.8				68	110	96.5
2WB-15	ZG1/2"	16	4.8		68	110	96.5		
2WB-20	ZG3/4"	20	12		71	117	101		
2WB-25	ZG1"	25	24		98	125	105		
2WB-35	ZG1 1/4"	35	29		28	24	115	160	136.5
2WB-40	ZG1 1/2"	40	48				122	170	141
2WB-50	ZG2"	50	48				166	192	157

SPECIFICATION

Model	Parameter
Operating Medium	Water, weak acid & alkali
Operation	Direct Acting
Acting Type	Diaphragm Type
Pressure Range	0~1.0MPa
Operating Pressure	1.0MPa (Normal open type max. pressure 0.8MPa)
Medium Temperature	-5 ~ 80°C for NBR, -5~ 150°C for VITON, EPDM
Ambient Temperature	-5~60°C
Installation	As Required
Voltage	AC380V, 220V, 110V, 36V, 24V DC220V, 110V, 36V, 24V, 12V

FEATURES

- Protection Degree is IP67, these valves can be supplied with manual operation.

Authorised Distributor :



NEPTEC ENGINEERING SDN BHD

No. 33-1, Jln Kebun Nenas 4A/KS 8, (1068405-P)
 Bandar Putera 2, 41200 Klang, Selangor.
 Website : www.neptec.com.my
 Tel : 03-5161 3330
 Fax : 03-5161 3331

H/P : 012-223 8681
 Email : sales@neptec.net

H/P : 012-664 2440
 Email : tcgan@neptec.net

H/P : 012-289 9720
 Email : ts@neptec.net