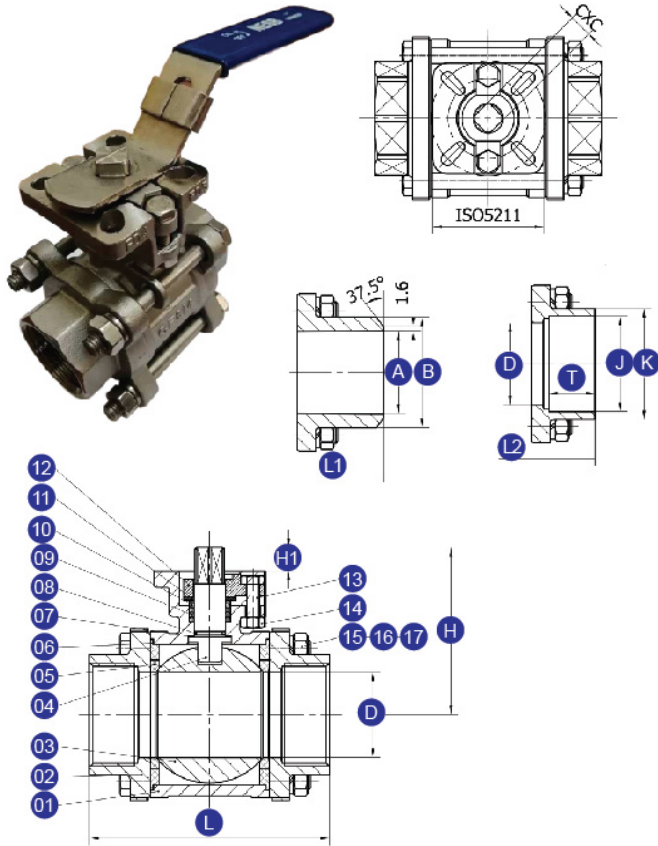




STAINLESS STEEL ISO MOUNTING PAD

3-PC Ball Valve ISO-Direct Mounting Pad 1000 W.O.G



MAIN PARTS AND MATERIALS

NO	NAME	MATERIAL
1	Body	CF8 / CF8M
2	Ball	304 / 316
3	Stem	304 / 316
4	End Cap	CF8M
5	Seat	PTFE/RPTFE
6	Gasket	PTFE
7	Thrust Washer	PTFE
8	Stem O-ring	VITON
9	Packing	PTFE
10	Metal Ring	304
11	Belleville Washer	304
12	Gland	CF8M
13	Bolt	304
14	Nut	304
15	Nut	304
16	Elastic Gasket	304
17	Bolt	304

CONFIGURATION DIMENSION

Size		D	L	L1	L2	A	B	J	K	T	H	H1	C	ISO5211	N*M
DN	Inches														
15	1/2"	15	73	75	65	16	22.5	16	22.4	10	58	9	9	F04/F05	6
20	3/4"	20	83	90	76.5	21	27	21	27.8	13	63	9	9	F04/F05	9
25	1"	25	90	100	86	26	34.5	26	34.7	13	70	11	11	F04/F05	14
32	1 1/4"	32	108	110	98	32	43	35	43.3	13	82	11	11	F04/F05	22
40	1 1/2"	38	119	125	114	40	49	41	49.3	13	90	14	14	F05/F07	32
50	2"	50	140	150	132	51	62	52	61.4	16	98	14	14	F05/F07	40
65	2 1/2"	65	164	190	164	65	76.5	66	75	16	118	18	17	F07/F10	60
80	3"	78	192	220	182	80	92	80.5	90	16	134	18	17	F07/F10	105
100	4"	100	202	270	235	100	115.5	104.6	115.6	19	158	18	17	F07/F10	165

FEATURES

- 1000 PSI
- Spring Ball Seat for Self-Adjust
- Full Port
- Locking Device Handle
- Blow-Out Proof Stem
- V-Ring Packing Sealing
- Blance Hole in Ball Slot
- Design Standard: ASME B16.34
- Anti-Static Device

Authorised Distributor :



NEPTEC ENGINEERING SDN BHD

No. 33-1, Jln Kebun Nenas 4A/KS 8, (1068405-P)
 Bandar Putera 2, 41200 Klang, Selangor.
 Website : www.neptec.com.my
 Tel : 03-5161 3330
 Fax : 03-5161 3331

H/P : 012-223 8681
 Email : sales@neptec.net

H/P : 012-664 2440
 Email : tcgan@neptec.net

H/P : 012-289 9720
 Email : ts@neptec.net