

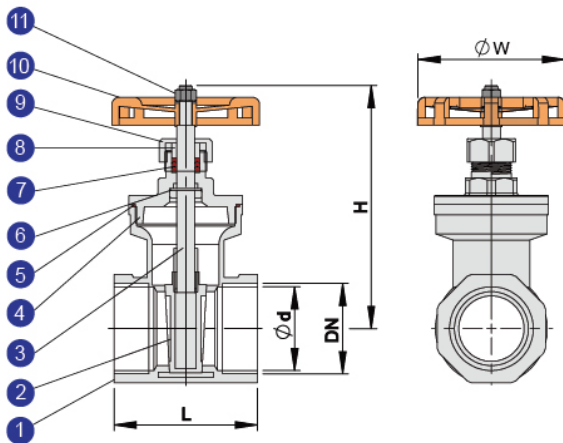


STAINLESS STEEL GATE VALVE



MAIN PARTS AND MATERIALS

NO	NAME	MATERIAL
1	Body	CF8M/CF8
2	Disc	CF8M/CF8
3	Stem	316/304
4	Bonnet	CF8M/CF8
5	Gasket	PTFE
6	Gland	316/304
7	Stem Packing	PTFE/RPTFE
8	Gland	304
9	Stop Cap	304
10	Handle	ALUMINIUM
11	Nut	304



CONFIGURATION DIMENSION

Size		L	d	H	W
DN	Inch				
15	1/2"	55	15	99	70
20	3/4"	60	20	105	70
25	1"	66	25	115	80
32	1 1/4"	76	32	130	90
40	1 1/2"	80	40	147	90
50	2"	96	50	168	100



PRESSURE TESTING

Standard Pressure	200PSI
Shell Pressure Testing	2.1Mpa
Water Seal Testing	1.5Mpa
Air Seal Testing	0.4~0.7Mpa

FEATURES

- 200PSI
- Metal to Metal Sealing
- Design Standard: ASME B16.34
- Wheel Handle

Authorised Distributor :



NEPTEC ENGINEERING SDN BHD

No. 33-1, Jln Kebun Nenas 4A/KS 8, (1068405-P)
 Bandar Putera 2, 41200 Klang, Selangor.
 Website : www.neptec.com.my
 Tel : 03-5161 3330
 Fax : 03-5161 3331

H/P : 012-223 8681
 Email : sales@neptec.net

H/P : 012-664 2440
 Email : tcgan@neptec.net

H/P : 012-289 9720
 Email : ts@neptec.net