

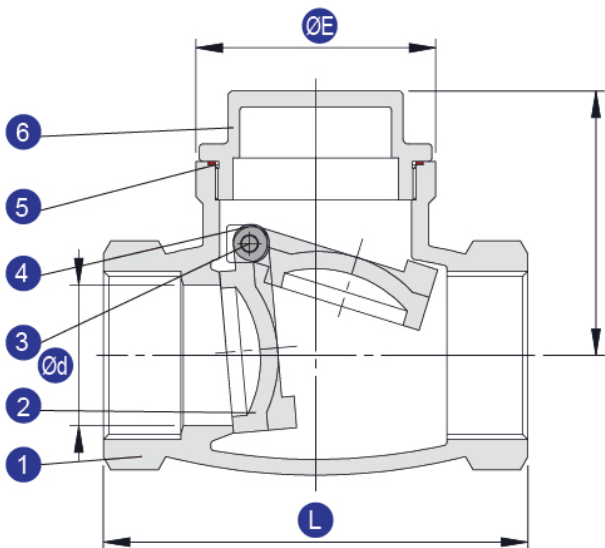


STAINLESS STEEL SWING CHECK VALVE



MAIN PARTS AND MATERIALS

NO	NAME	MATERIAL
1	Body	CF8M/CF8
2	Disc	CF8M/CF8
3	Nip	304
4	Nut	304
5	Gasket	PTFE
6	Bonnet	CF8M/CF8



CONFIGURATION DIMENSION

Size		L	Ød	H
DN	Inch			
15	1/2"	65	15	42
20	3/4"	80	20	51
25	1"	90	25	60
32	1 1/4"	105	32	67
40	1 1/2"	120	40	75
50	2"	140	50	81

Authorised Distributor :



NEPTEC ENGINEERING SDN BHD

No. 33-1, Jln Kebun Nenas 4A/KS 8, (1068405-P)
 Bandar Putera 2, 41200 Klang, Selangor.
 Website : www.neptec.com.my
 Tel : 03-5161 3330
 Fax : 03-5161 3331

H/P : 012-223 8681
 Email : sales@neptec.net

H/P : 012-664 2440
 Email : tcgan@neptec.net

H/P : 012-289 9720
 Email : ts@neptec.net