

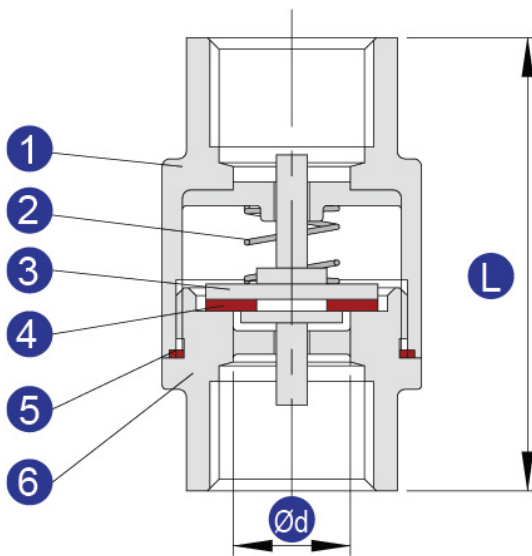


# STAINLESS STEEL VERTICAL TYPE CHECK VALVE



## MAIN PARTS AND MATERIALS

NO	NAME	MATERIAL
1	Body	CF8M/CF8
2	Spring	316/304
3	Disc	316/304
4	Seat	PTFE
5	Gasket	CF8M/CF8
6	Cap	CF8M/CF8



## CONFIGURATION DIMENSION

Size		L	Ød
DN	Inch		
15	1/2"	65	15
20	3/4"	70	20
25	1"	80	25
32	1 1/4"	96	32
40	1 1/2"	106	40
50	2"	120	50

Authorised Distributor :



## NEPTEC ENGINEERING SDN BHD

No. 33-1, Jln Kebun Nenas 4A/KS 8, (1068405-P)  
 Bandar Putera 2, 41200 Klang, Selangor.  
 Website : [www.neptec.com.my](http://www.neptec.com.my)  
 Tel : 03-5161 3330  
 Fax : 03-5161 3331

H/P : 012-223 8681  
 Email : [sales@neptec.net](mailto:sales@neptec.net)

H/P : 012-664 2440  
 Email : [tcgan@neptec.net](mailto:tcgan@neptec.net)

H/P : 012-289 9720  
 Email : [ts@neptec.net](mailto:ts@neptec.net)