



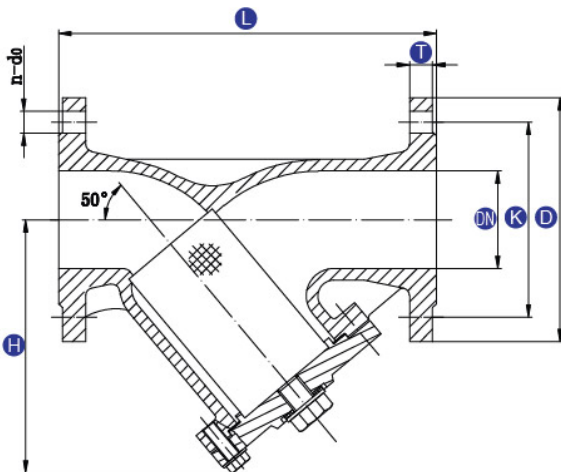
## Y - STRAINER



### MAIN PARTS AND MATERIALS

NO	NAME	MATERIAL
1	Body	Cast Iron
2	Cover	Cast Iron
3	Screen	304
4	Sealing Pad	Rubber

### CONFIGURATION DIMENSION



Size		L	H	D	K	n-do	T
DN	Inch						
40	1 1/2"	200	106	140	105	4-19	16
50	2"	230	114	155	120	4-19	16
65	2 1/2"	290	121	175	140	4-19	18
80	3"	310	146	185	150	8-19	18
100	4"	350	178	210	175	8-19	20
125	5"	400	222	250	210	8-23	22
150	6"	480	262	280	240	8-23	22
200	8"	600	350	330	290	12-23	24
250	10"	730	423	400	355	12-25	26
300	12"	850	435.5	445	400	16-25	28

### FEATURES

- Strainers are the special equipment which are used for medium purification in pipe line.
- Small size, light weight, easy installation and maintenance.
- Flow resistant is small and media purification is thorough.
- Remove dirt quickly and easily.
- Working temperature is  $-15^{\circ}\text{C} \sim +200$ .
- Media : water, gas, oil, etc.

Authorised Distributor :



### NEPTEC ENGINEERING SDN BHD

No. 33-1, Jln Kebun Nenas 4A/KS 8, (1068405-P)  
 Bandar Putera 2, 41200 Klang, Selangor.  
 Website : [www.neptec.com.my](http://www.neptec.com.my)  
 Tel : 03-5161 3330  
 Fax : 03-5161 3331

H/P : 012-223 8681  
 Email : [sales@neptec.net](mailto:sales@neptec.net)

H/P : 012-664 2440  
 Email : [tcgan@neptec.net](mailto:tcgan@neptec.net)

H/P : 012-289 9720  
 Email : [ts@neptec.net](mailto:ts@neptec.net)